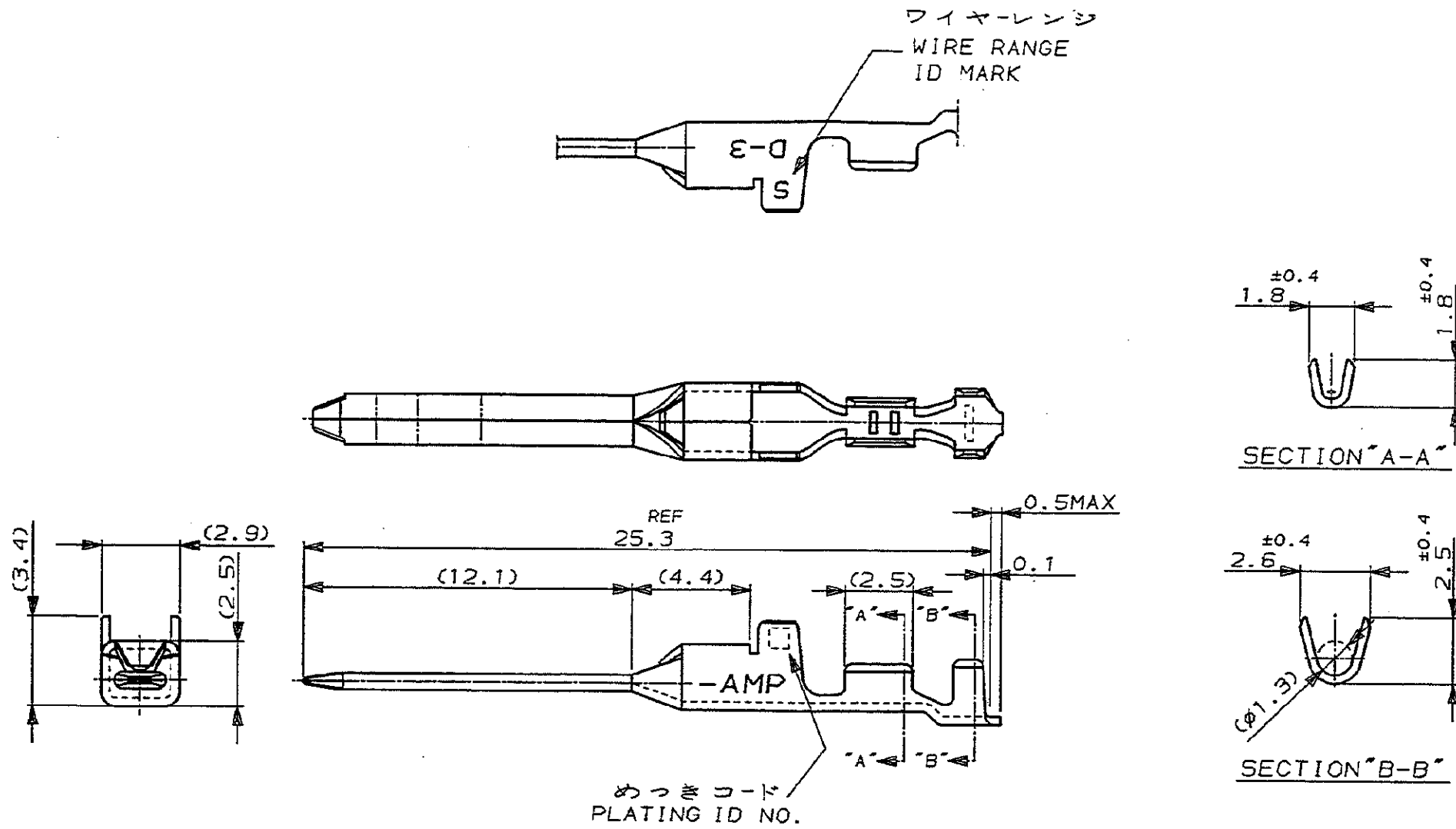


NUMBER C-175287
METRIC
三角度 (30°) ANGLE PROJECTION

PROJ NO 391-604
WAS 91-25168-2.4.5
U.855-111>U.DWG>S.C89-25173
単位: mm DIMENSIONS IN MM. DO NOT SCALE PRINT

PRINT DIST
REV. 10/83



注記
△ 金めっきは接触部のみとする

NOTE
△ GOLD-PL. CONTACT AREA ONLY

5	光沢錫めっき (BRIGHT TIN-PL.)	-5
3	△ 0.76μm最小金めっき (0.76μmMIN. AU-PL.)	-3
2	△ 0.38μm最小金めっき (0.38μmMIN. AU-PL.)	175287-2
めっきコード (PL. ID NO.)	仕上 (FINISH)	型番 (P/N)

Copyright ©1991 株式会社 AMP (Japan) LTD. ALL RIGHTS RESERVED.		Copyright ©1991 株式会社 AMP (Japan) LTD. ALL RIGHTS RESERVED.	
Wire Range (AWG 28-24)	Insulation Dia. (0.8-1.4 mm)	Name (DYNAMIC D-3 SERIES TAB CONTACT "S" SIZE LOOSE PIECE)	
Material (COPPER ALLOY)	Finish (SEE TABLE)	General Tolerance (10μm ±0.2, 30μm ±0.25, 30μm ±0.3, 角 ±0.3)	
DR. N. Matsubara	DE. N. Matsubara	Size (B)	Loc (J)
CHK. 4 MAR 92	APP. S. MANABE	Rev. (0)	Sheet (1 OF 1)

(CUSTOMER DRAWING) 参考 面